

SCHMIZO Reactor Systems: One Reactor System – Different Vessel Sizes

Features

- Volumes from 0.1 to 20 liters (other volumes on request)
- Available with single jacket and vacuum jacket
- Covers compatible with all reactor sizes
- Temperature range -80°C to $+200^{\circ}\text{C}$ (up to $+250^{\circ}\text{C}$ with special materials)
- Dry running mechanical seal (optionally with ceramic ball bearing for aggressive media). Vacuum proof 1mbar
- Innovative zero dead space bottom discharge valve

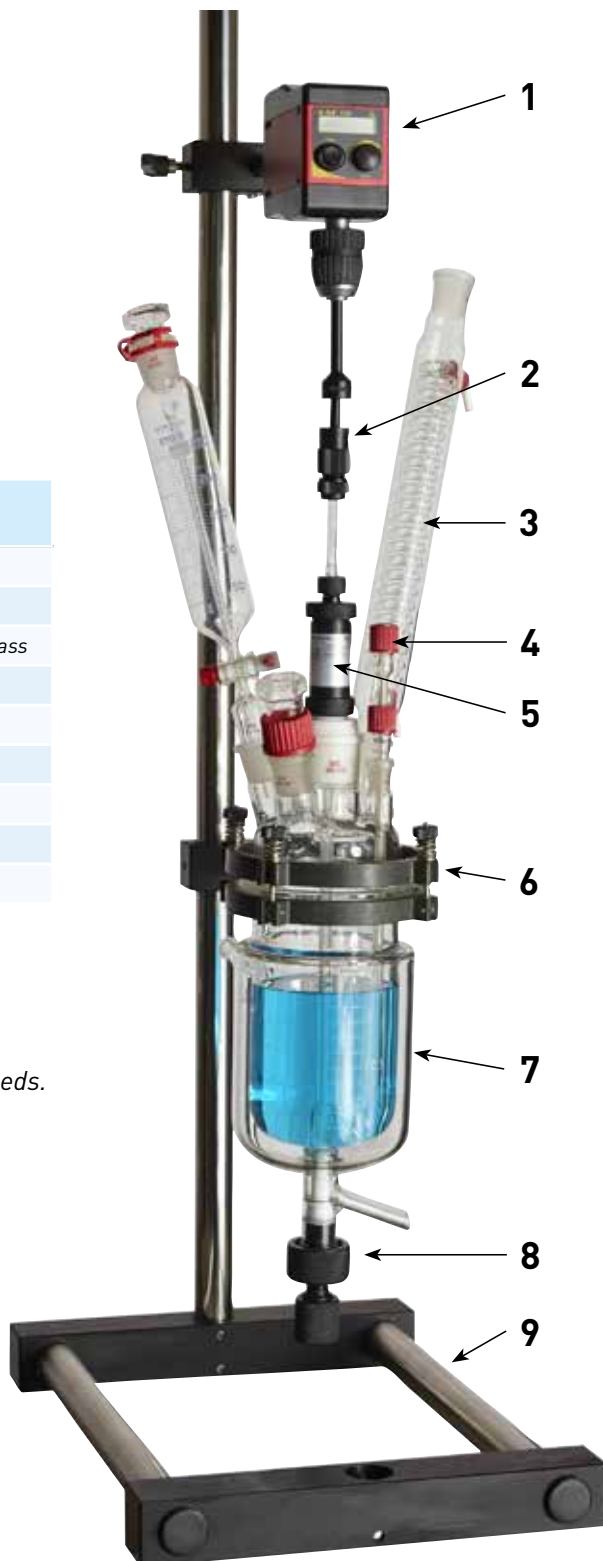
Main Components of Opposite Reactor System:

No.	Article No.	Article	Page
1	23.658.10	Stirrer motor CAT R20	55
2	23.656.45	BOLA globe stirrer coupling	54
3	21.275.30	Condenser, reflux, 300 mm *	Laboratory glass
4	40.430.55	Temperature probe Pt-100	59
5	23.623.24	Mechanical seal	53
6	12.344.37	Reactor holder type SCHMIZO	33
7	17.110.81	Reactor jacketed 1000 ml	16
8	17.940.10	Bottom discharge valve 10 mm	35
9	50.000.10	Laboratory rack **	63

* Find all additional accessories as condensers, coolers etc. in our Laboratory Glassware catalogue.

** This kind of rack is only available with oblique foot.

We will be pleased to make you an offer that corresponds to your needs.

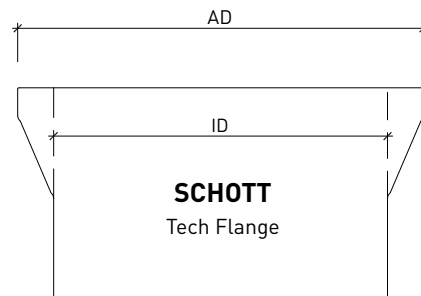
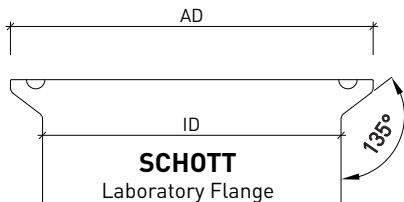
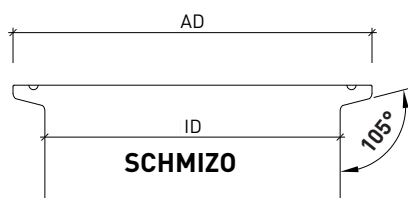


17.521.81



17.500.81

Flat Flanges



SCHMIZO Flat Flange

DN	ID mm	AD mm
60	68	98
100	105	137
120	120	150
150	150	184

SCHOTT Laboratory Flange

DN	ID mm	AD mm
60	59	100
100	96	138
120	118	158
150	141	184
200	199	242

SCHOTT Tech Flange

DN	ID mm	AD mm
200	200	242
300	300	340

Tolerances by analogy to DURAN glass tubes.

DN = nominal width, ID = inner diameter, AD = outer diameter

Tempering Ports

AD = outer diameter, ID = inner diameter



Flat Flange / KF3

DN	ID mm	AD mm
15	15	28.6
25	25	42.2
40	40	57.4
50	50	70

Spherical Joints (KS)

KS	DN mm	AD mm
19/9	9	19
29/15	15	29

Other sizes by request

Screwthread Tube

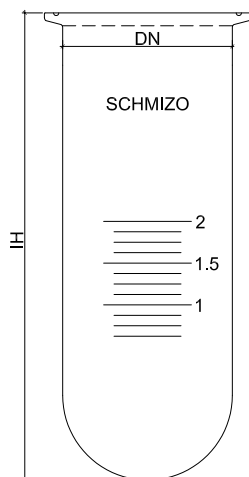
Type	ID mm	AD mm
GL14	9	12
GL18	12.4	16
GL25	18.4	22
SVL15	12.4	16
SVL22	18.4	22

Other sizes by request

On request also available with hose connections (AD 6 - 12 mm). All other kinds of flanges or connection systems by request.

Round Bottom Vessel, Cylindrical Shape

Reaction vessel, cylindrical shape, round bottom, flat flange SCHMIZO with a groove



SCHMIZO Flat Flange

DN = Diameter nominal

All reaction vessels are also available with „SCHOTT“ flange (DURAN laboratory flange): Please add „S“ at the end of the article number. Size DN 200 is only available with SCHOTT-flange.

Cylindrical Shape

The inner diameter is equal to the vessel opening.

Article No.	Volume ml	DN	IH mm	ID mm	Valve Bore	
16.100.55	100	60	60	69	-	
16.100.63	200	60	105	69	-	
16.100.65	250	60	120	69	-	
16.100.67	300	60	145	69	-	
16.100.70	350	60	160	69	-	
16.100.73	500	60	200	69	-	
16.110.65	250	100	85	105	-	
16.110.73	500	100	135	105	-	
16.110.79	750	100	175	105	-	
16.110.81	1000	100	205	105	-	
16.110.85	1500	100	255	105	-	
16.110.87	2000	100	315	105	-	
16.120.73	500	120	120	120	-	
16.120.79	750	120	150	120	-	
16.120.81	1000	120	175	120	-	
16.120.85	1500	120	210	120	-	
16.120.87	2000	120	270	120	-	
16.120.88	2500	120	250	120	-	
16.130.81	1000	150	130	150	-	
16.130.85	1500	150	180	150	-	
16.130.87	2000	150	210	150	-	
16.130.88	2500	150	250	150	-	
16.130.89	3000	150	290	150	-	
16.132.94S	5000	200	260	200	-	
16.132.95S	6000	200	305	200	-	
16.132.96S	10000	200	420	200	-	
16.132.97S	15000	200	590	200	-	
16.132.98S	20000	200	770	200	-	

DN 60

DN 100

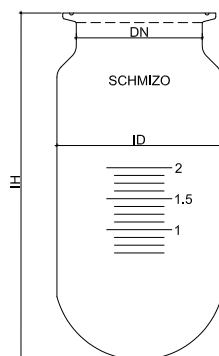
DN 120

DN 150

DN 200

Round Bottom Vessel, Wide Shape

Reaction vessel, wide shape, round bottom, flat flange SCHMIZO with a groove



SCHMIZO Flat Flange

DN = Diameter nominal

All reaction vessels are also available with „SCHOTT“ flange (DURAN laboratory flange): Please add „S“ at the end of the article number. Size DN 200 is only available with SCHOTT-flange.

Wide Shape

The inner diameter of the vessel is bigger than the vessel opening.

Article No.	Volume ml	DN	IH mm	ID mm	Valve Bore	
16.600.73	500	60	120	105	-	
16.600.79	750	60	160	105	-	
16.600.81	1000	60	190	105	-	
16.610.85	1500	100	230	120	-	
16.610.87	2000	100	290	120	-	
16.610.88	2500	100	230	160	-	
16.610.89	3000	100	260	160	-	
16.610.92	4000	100	300	160	-	
16.610.94	5000	100	300	180	-	
16.610.95	6000	100	350	180	-	
16.610.96	10000	100	350	240	-	
16.610.97	15000	100	490	240	-	
16.610.98	20000	100	535	260	-	
16.620.89	3000	120	260	160	-	
16.620.92	4000	120	300	160	-	
16.620.94	5000	120	300	180	-	
16.620.95	6000	120	350	180	-	
16.620.96	10000	120	350	240	-	
16.620.97	15000	120	490	240	-	
16.620.98	20000	120	535	260	-	
16.630.89	3000	150	260	160	-	
16.630.92	4000	150	300	160	-	
16.630.94	5000	150	310	180	-	
16.630.95	6000	150	350	180	-	
16.630.96	10000	150	350	240	-	
16.630.97	15000	150	490	240	-	
16.630.98	20000	150	535	260	-	
16.631.94S	5000	200	310	200	-	
16.631.95S	6000	200	345	200	-	
16.631.96S	10000	200	390	240	-	
16.631.97S	15000	200	460	260	-	
16.631.98S	20000	200	550	260	-	

DN 60

DN 100

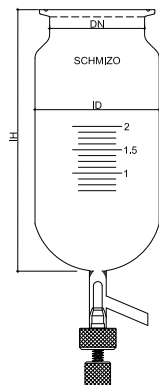
DN 120

DN 150

DN 200

Reaction Vessel with Bottom Outlet

Reaction vessel flat flange SCHMIZO with a groove, round bottom, bottom outlet with discharge valve type SCHMIZO, serial numbered



SCHMIZO Flat Flange

DN = Diameter nominal

All reaction vessels are also available with „SCHOTT“ flange (DURAN laboratory flange): Please add „S“ at the end of the article number. Size DN 200 is only available with SCHOTT-flange.

Discharge Valve SCHMIZO

Product information: see additional brochure.

Side Arm

On request with hose nozzle, spherical joint or GL/SVL thread on the pipe available.

Article No.	Volume ml	DN	IH mm	ID mm	Valve Bore	
16.602.74	500	60	120	105	10mm	
16.602.79	750	60	160	105	10mm	
16.602.81	1000	60	190	105	10mm	
16.612.85	1500	100	230	120	10mm	
16.612.87	2000	100	290	120	10mm	
16.612.88	2500	100	230	160	10mm	
16.612.89	3000	100	260	160	10mm	
16.612.92	4000	100	300	160	10mm	
16.612.94	5000	100	300	180	10mm	
16.612.95	6000	100	350	180	10mm	
16.612.96	10000	100	350	240	16mm	
16.612.97	15000	100	490	240	16mm	
16.612.98	20000	100	535	260	16mm	
16.622.89	3000	120	260	160	10mm	
16.622.92	4000	120	300	160	10mm	
16.622.94	5000	120	300	180	10mm	
16.622.95	6000	120	350	180	10mm	
16.622.96	10000	120	350	240	16mm	
16.622.97	15000	120	490	240	16mm	
16.622.98	20000	120	535	260	16mm	
16.632.89	3000	150	230	160	10mm	
16.632.92	4000	150	300	160	10mm	
16.632.94	5000	150	300	180	10mm	
16.632.95	6000	150	350	180	10mm	
16.632.96	10000	150	350	240	16mm	
16.632.97	15000	150	490	240	16mm	
16.632.98	20000	150	535	260	16mm	
16.633.94S	5000	200	310	200	16mm	
16.633.95S	6000	200	345	200	16mm	
16.633.96S	10000	200	390	240	16mm	
16.633.97S	15000	200	460	260	16mm	
16.633.98S	20000	200	550	260	16mm	

DN 60 / 10 mm

DN 100 / 10 mm

DN 100 / 16 mm

DN 120 / 10 mm

DN 120 / 16 mm

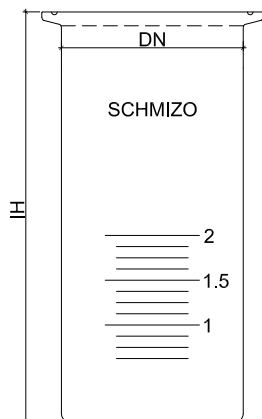
DN 150 / 10 mm

DN 150 / 16 mm

DN 200 / 16 mm

Flat Bottom Vessel, Cylindrical Shape

Reaction vessel, cylindrical shape, flat bottom, flat flange SCHMIZO with a groove



SCHMIZO Flat Flange

DN = Diameter nominal

All reaction vessels are also available with „SCHOTT“ flange (DURAN laboratory flange): Please add „S“ at the end of the article number. Size DN 200 is only available with SCHOTT-flange.

Cylindrical Shape

The inner diameter is equal to the vessel opening.

Article No.	Volume ml	DN	IH mm	ID mm	Valve Bore	
16.200.55	100	60	45	69	-	
16.200.63	200	60	90	69	-	
16.200.65	250	60	105	69	-	
16.200.67	300	60	130	69	-	
16.200.70	350	60	145	69	-	
16.200.73	500	60	195	69	-	
16.200.79	750	60	290	69	-	
16.200.81	1000	60	390	69	-	
16.210.65	250	100	60	105	-	
16.210.73	500	100	110	105	-	
16.210.79	750	100	150	105	-	
16.210.81	1000	100	180	105	-	
16.210.85	1500	100	230	105	-	
16.210.87	2000	100	290	105	-	
16.220.73	500	120	90	120	-	
16.220.79	750	120	120	120	-	
16.220.81	1000	120	145	120	-	
16.220.85	1500	120	190	120	-	
16.220.87	2000	120	240	120	-	
16.220.88	2500	120	250	120	-	
16.230.81	1000	150	90	150	-	
16.230.85	1500	150	140	150	-	
16.230.87	2000	150	170	150	-	
16.230.88	2500	150	210	150	-	
16.230.89	3000	150	250	150	-	
16.232.94S	5000	200	240	200	-	
16.232.95S	6000	200	285	200	-	
16.232.96S	10000	200	400	200	-	
16.232.97S	15000	200	570	200	-	
16.232.98S	20000	200	750	200	-	

DN 60

DN 100

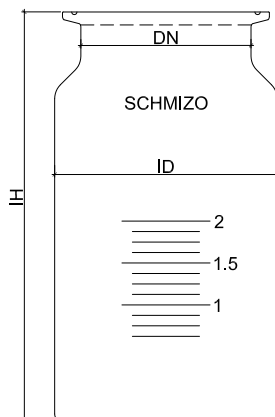
DN 120

DN 150

DN 200

Flat Bottom Vessel, Wide Shape

Reaction vessel, wide shape, flat bottom, flat flange SCHMIZO with a groove



SCHMIZO Flat Flange

DN = Diameter nominal

All reaction vessels are also available with „SCHOTT“ flange (DURAN laboratory flange): Please add „S“ at the end of the article number. Size DN 200 is only available with SCHOTT-flange.

Wide Shape

The inner diameter of the vessel is bigger than the vessel opening.

Article No.	Volume ml	DN	IH mm	ID mm	Valve Bore	
16.700.73	500	60	120	105	-	
16.700.79	750	60	160	105	-	
16.700.81	1000	60	190	105	-	
16.710.85	1500	100	230	120	-	
16.710.87	2000	100	290	120	-	
16.710.88	2500	100	230	160	-	
16.710.89	3000	100	260	160	-	
16.710.92	4000	100	300	160	-	
16.710.94	5000	100	323	180	-	
16.710.96	10000	100	380	220	-	
16.710.97	15000	100	410	260	-	
16.710.98	20000	100	500	280	-	
16.720.89	3000	120	260	160	-	
16.720.92	4000	120	300	160	-	
16.720.94	5000	120	323	180	-	
16.720.96	10000	120	380	220	-	
16.720.97	15000	120	410	260	-	
16.720.98	20000	120	500	280	-	
16.730.89	3000	150	260	160	-	
16.730.92	4000	150	300	160	-	
16.730.94	5000	150	323	180	-	
16.730.96	10000	150	380	220	-	
16.730.97	15000	150	410	260	-	
16.730.98	20000	150	500	280	-	
16.732.96S	10000	200	380	220	-	
16.732.97S	15000	200	410	260	-	
16.732.98S	20000	200	500	280	-	

DN 60

DN 100

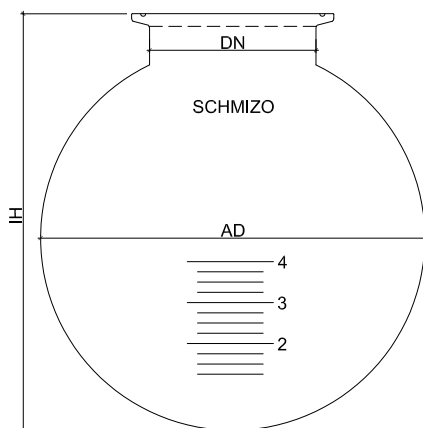
DN 120

DN 150

DN 200

Round Bottom Flask

Reaction vessel, round bottom flask, flat flange SCHMIZO with a groove



SCHMIZO Flat Flange

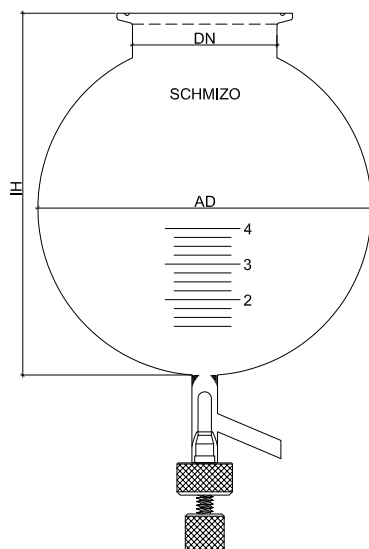
DN = Diameter nominal

All reaction vessels are also available with „SCHOTT“ flange (DURAN laboratory flange): Please add „S“ at the end of the article number. Size DN 200 is only available with SCHOTT-flange.

Article No.	Volume ml	DN	IH mm	ID mm	Valve Bore	
16.300.73	500	60	150	105	-	DN 60
16.300.81	1000	60	180	131	-	
16.300.87	2000	60	210	166	-	
16.310.81	1000	100	145	131	-	DN 100
16.310.87	2000	100	220	166	-	
16.310.89	3000	100	240	185	-	
16.310.92	4000	100	260	206	-	
16.310.94	5000	100	275	223	-	
16.310.95	6000	100	290	236	-	
16.310.96	10000	100	315	279	-	
16.320.87	2000	120	220	166	-	DN 120
16.320.89	3000	120	240	185	-	
16.320.92	4000	120	260	206	-	
16.320.94	5000	120	275	223	-	
16.320.95	6000	120	290	236	-	
16.320.96	10000	120	315	279	-	
16.330.89	3000	150	240	185	-	DN 150
16.330.92	4000	150	260	206	-	
16.330.94	5000	150	275	223	-	
16.330.95	6000	150	290	236	-	
16.330.96	10000	150	315	279	-	
16.340.96S	10000	200	360	279	-	DN 200
16.340.98S	20000	200	420	345	-	

Round Bottom Flask with Bottom Outlet

Reaction vessel, round bottom flask, flat flange SCHMIZO with a groove, bottom outlet with discharge valve type SCHMIZO



SCHMIZO Flat Flange

DN = Diameter nominal

All reaction vessels are also available with „SCHOTT“ flange (DURAN laboratory flange): Please add „S“ at the end of the article number. Size DN 200 is only available with SCHOTT-flange.

Side Arm

On request with hose nozzle, spherical joint or GL/SVL thread on the pipe available.

Discharge Valve SCHMIZO

Product information: see additional brochure.

Article No.	Volume ml	DN	IH mm	ID mm	Valve Bore	
16.302.74	500	60	150	105	10mm	
16.302.81	1000	60	180	131	10mm	
16.302.87	2000	60	210	166	10mm	
16.312.81	1000	100	190	131	10mm	
16.312.87	2000	100	220	166	10mm	
16.312.89	3000	100	240	185	10mm	
16.312.92	4000	100	260	206	10mm	
16.312.94	5000	100	275	223	10mm	
16.312.95	6000	100	290	236	10mm	
16.312.96	10000	100	340	279	16mm	
16.322.87	2000	120	220	166	10mm	
16.322.89	3000	120	240	185	10mm	
16.322.92	4000	120	260	206	10mm	
16.322.94	5000	120	275	223	10mm	
16.322.95	6000	120	290	236	10mm	
16.322.96	10000	120	340	279	16mm	
16.332.89	3000	150	240	185	10mm	
16.332.92	4000	150	260	206	10mm	
16.332.94	5000	150	275	223	10mm	
16.332.95	6000	150	290	236	10mm	
16.332.96	10000	150	340	279	16mm	
16.342.96S	10000	200	360	279	16mm	
16.342.98S	20000	200	420	345	16mm	

DN 60 / 10 mm

DN 100 / 10 mm

DN 100 / 16 mm

DN 120 / 16 mm

DN 120 / 16 mm

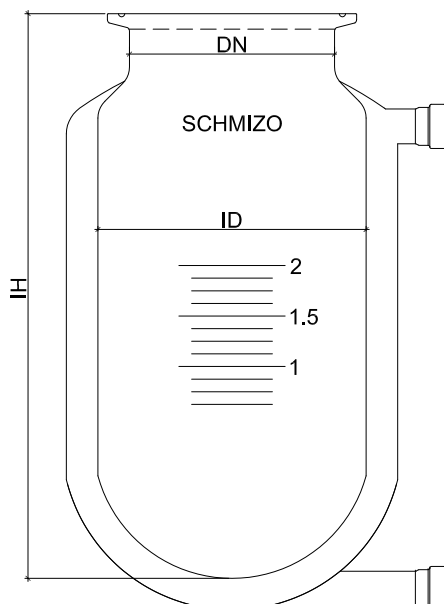
DN 150 / 10 mm

DN 150 / 16 mm

DN 200 / 16 mm

Jacketed Reaction Vessel with Round Bottom

Reaction vessel, jacketed, flat flange SCHMIZO with a groove, round bottom, inlet/outlet flat flange DN 15, serial numbered



SCHMIZO Flat Flange

DN = Diameter nominal

All reaction vessels are also available with „SCHOTT“ flange (DURAN laboratory flange): Please add „S“ at the end of the article number. Size DN 200 is only available with SCHOTT-flange.

Inlet/Outlet

Flat flange DN 15

On request also available with spherical joints, GL or SVL threads.

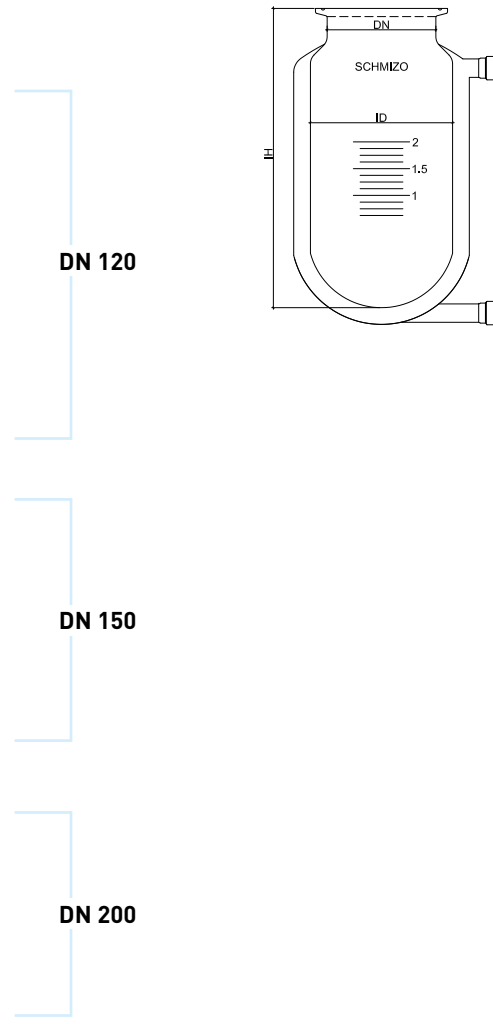
Article No.	Volume ml	DN	IH mm	ID mm	Valve Bore	
17.300.55	100	60	95	65	-	
17.300.65	250	60	155	65	-	
17.300.70	350	60	195	65	-	
17.300.73	500	60	250	65	-	
17.300.74	500	60	190	85	-	
17.300.79	750	60	185	105	-	
17.300.81	1000	60	210	105	-	
17.310.73	500	100	150	105	-	
17.310.79	750	100	190	105	-	
17.310.81	1000	100	210	105	-	
17.310.85	1500	100	230	120	-	
17.310.87	2000	100	205	160	-	
17.310.88	2500	100	230	160	-	
17.310.89	3000	100	260	160	-	
17.310.92	4000	100	300	160	-	
17.310.94	5000	100	300	180	-	
17.310.95	6000	100	350	180	-	
17.310.96	10000	100	350	240	-	
17.310.97	15000	100	490	240	-	
17.310.98	20000	100	535	260	-	

DN 60

DN 100

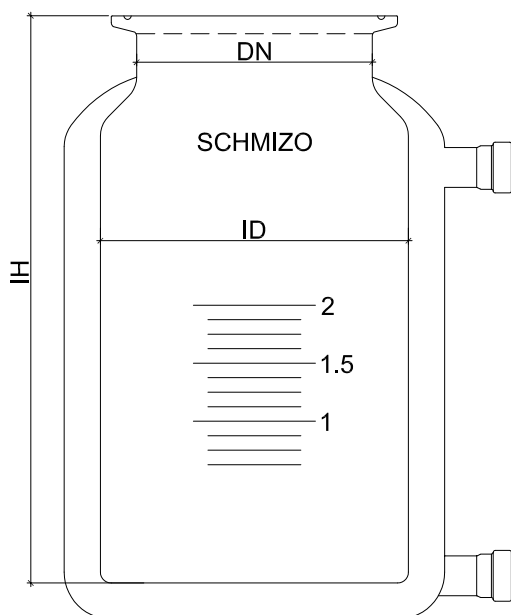
Jacketed Reaction Vessel with Round Bottom (Continuation)

Article No.	Volume ml	DN	IH mm	ID mm	Valve Bore	
17.320.81	1000	120	180	120	-	
17.320.85	1500	120	230	120	-	
17.320.87	2000	120	290	120	-	
17.320.88	2500	120	230	160	-	
17.320.89	3000	120	260	160	-	
17.320.92	4000	120	300	160	-	
17.320.94	5000	120	300	180	-	
17.320.95	6000	120	350	180	-	
17.320.96	10000	120	350	240	-	
17.320.97	15000	120	490	240	-	
17.320.98	20000	120	535	260	-	
17.330.88	2500	150	230	160	-	
17.330.89	3000	150	260	160	-	
17.330.92	4000	150	300	160	-	
17.330.94	5000	150	310	180	-	
17.330.95	6000	150	350	180	-	
17.330.96	10000	150	350	240	-	
17.330.97	15000	150	490	240	-	
17.330.98	20000	150	535	260	-	
17.331.94S	5000	200	310	200	-	
17.331.95S	6000	200	345	200	-	
17.331.96S	10000	200	470	200	-	
17.332.96S	10000	200	390	240	-	
17.332.97S	15000	200	460	260	-	
17.332.98S	20000	200	550	260	-	



Jacketed Reaction Vessel with Flat Bottom

Reaction vessel, jacketed, flat flange SCHMIZO with a groove, flat bottom, inlet/outlet flat flange DN 15, serial numbered



SCHMIZO Flat Flange

DN = Diameter nominal

All reaction vessels are also available with „SCHOTT“ flange (DURAN laboratory flange): Please add „S“ at the end of the article number. Size DN 200 is only available with SCHOTT-flange.

Inlet/Outlet

Flat flange DN 15

On request also available with spherical joints, GL or SVL threads.

Article No.	Volume ml	DN	IH mm	ID mm	Valve Bore	
17.200.55	100	60	85	65	-	
17.200.65	250	60	145	65	-	
17.200.70	350	60	185	65	-	
17.200.73	500	60	240	65	-	
17.200.74	500	60	185	85	-	
17.200.79	750	60	165	105	-	
17.200.81	1000	60	190	105	-	
17.210.73	500	100	125	105	-	
17.210.79	750	100	165	105	-	
17.210.81	1000	100	200	105	-	
17.210.85	1500	100	230	120	-	
17.210.87	2000	100	175	160	-	
17.210.88	2500	100	205	160	-	
17.210.89	3000	100	230	160	-	
17.210.92	4000	100	290	160	-	
17.210.94	5000	100	285	180	-	
17.210.95	6000	100	335	200	-	
17.210.96	10000	100	380	220	-	
17.210.97	15000	100	410	260	-	
17.210.98	20000	100	500	280	-	

DN 60

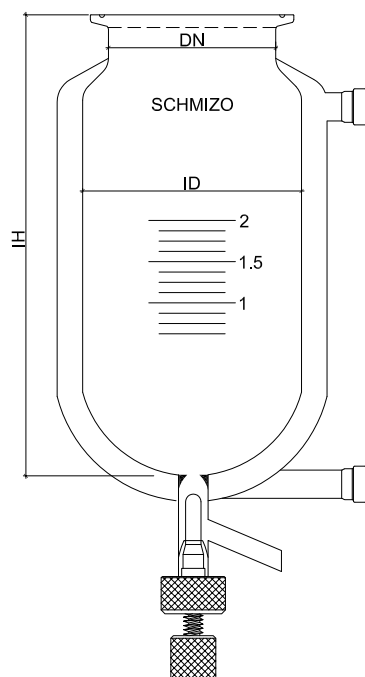
DN 100

Jacketed Reaction Vessel with Flat Bottom (Continuation)

Article No.	Volume ml	DN	IH mm	ID mm	Valve Bore	
17.220.81	1000	120	170	120	-	
17.220.85	1500	120	220	120	-	
17.220.87	2000	120	275	120	-	
17.220.88	2500	120	205	160	-	
17.220.89	3000	120	230	160	-	
17.220.92	4000	120	290	160	-	
17.220.94	5000	120	285	180	-	
17.220.95	6000	120	335	200	-	
17.220.96	10000	120	380	220	-	
17.220.97	15000	120	410	260	-	
17.220.98	20000	120	500	280	-	
DN 120						
17.230.88	2500	150	200	160	-	
17.230.89	3000	150	230	160	-	
17.230.92	4000	150	290	160	-	
17.230.94	5000	150	290	180	-	
17.230.95	6000	150	335	200	-	
17.230.96	10000	150	380	220	-	
17.230.97	15000	150	410	260	-	
17.230.98	20000	150	500	280	-	
DN 150						
17.231.94S	5000	200	260	180	-	
17.231.95S	6000	200	335	200	-	
17.231.96S	10000	200	450	220	-	
DN 200						
17.232.96S	10000	200	380	240	-	
17.232.97S	15000	200	410	260	-	
17.232.98S	20000	200	500	280	-	

Jacketed Reaction Vessel with Bottom Outlet

Reaction vessel, jacketed, flat flange SCHMIZO with a groove, round bottom, inlet/outlet flat flange DN 15, bottom outlet with discharge valve type SCHMIZO, serial numbered



SCHMIZO Flat Flange

DN = Diameter nominal

All reaction vessels are also available with „SCHOTT“ flange (DURAN laboratory flange): Please add „S“ at the end of the article number. Size DN 200 is only available with SCHOTT-flange.

Inlet/Outlet

Flat flange DN 15

On request also available with spherical joints, GL or SVL threads.

Side Arm

On request with hose nozzle, spherical joint or GL/SVL thread on the pipe available.

Discharge-Valve SCHMIZO

Product information: see additional brochure

Article No.	Volume ml	DN	IH mm	ID mm	Valve bore	
17.105.55	100	60	95	65	10mm	
17.105.65	250	60	155	65	10mm	
17.105.70	350	60	195	65	10mm	
17.105.73	500	60	250	65	10mm	
17.105.74	500	60	190	85	10mm	
17.100.79	750	60	185	105	10mm	
17.100.81	1'000	60	210	105	10mm	
17.110.73	500	100	150	105	10mm	
17.110.79	750	100	190	105	10mm	
17.110.81	1'000	100	210	105	10mm	
17.110.85	1'500	100	210	120	10mm	
17.110.86	2'000	100	280	120	10mm	
17.110.87	2'000	100	205	160	10mm	
17.110.88	2'500	100	230	160	10mm	
17.110.89	3'000	100	260	160	10mm	
17.110.92	4'000	100	290	160	10mm	
17.110.94	5'000	100	290	180	10mm	
17.110.95	6'000	100	335	180	10mm	
17.110.96	10'000	100	340	240	16mm	
17.110.97	15'000	100	450	240	16mm	
17.110.98	20'000	100	520	260	16mm	

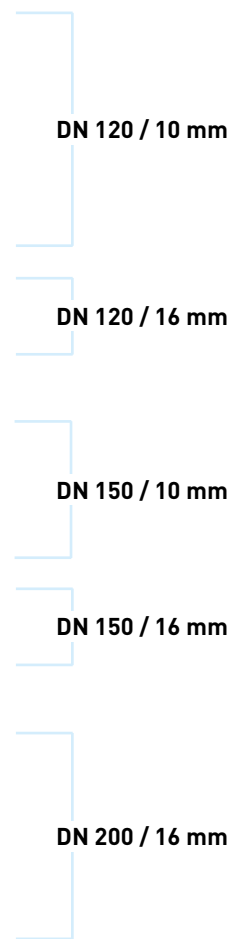
DN 60 / 10 mm

DN 100 / 10 mm

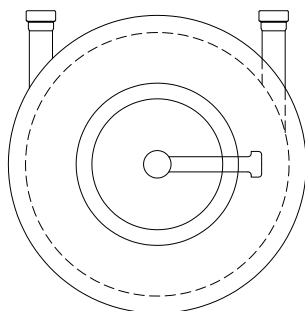
DN 100 / 16 mm

Jacketed Reaction Vessel with Bottom Outlet (Continuation)

Article No.	Volume ml	DN	IH mm	ID mm	Valve Bore	
17.120.81	1'000	120	180	120	10mm	
17.120.85	1'500	120	220	120	10mm	
17.120.87	2'000	120	280	120	10mm	
17.120.88	2'500	120	230	160	10mm	
17.120.89	3'000	120	260	160	10mm	
17.120.92	4'000	120	290	160	10mm	
17.120.94	5'000	120	310	180	10mm	
17.120.95	6'000	120	335	180	10mm	
17.120.96	10'000	120	350	240	16mm	
17.120.97	15'000	120	450	240	16mm	
17.120.98	20'000	120	520	260	16mm	
17.130.88	2'500	150	230	160	10mm	
17.130.89	3'000	150	260	160	10mm	
17.130.92	4'000	150	290	160	10mm	
17.130.94	5'000	150	310	180	10mm	
17.130.95	6'000	150	335	180	10mm	
17.130.96	10'000	150	350	240	16mm	
17.130.97	15'000	150	450	240	16mm	
17.130.98	20'000	150	520	260	16mm	
17.132.94S	5'000	200	260	200	16mm	
17.132.95S	6'000	200	360	200	16mm	
17.132.96S	10'000	200	480	200	16mm	
17.133.96S	10'000	200	360	240	16mm	
17.133.97S	15'000	200	460	260	16mm	
17.133.98S	20'000	200	550	260	16mm	



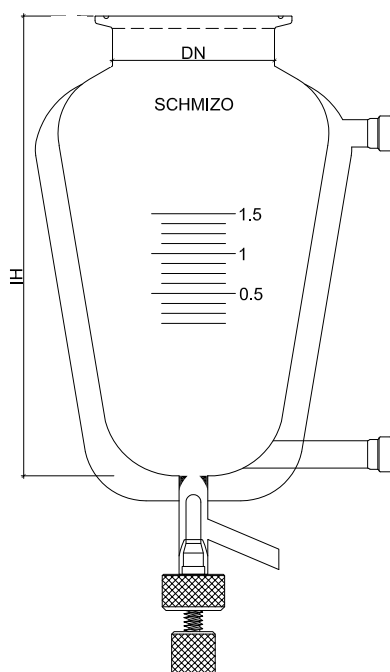
On request all articles are also available with valve bore 20 mm.



Top view: Inlet/outlet backwards, side arm rightwards. On request we can customize this arrangement.

Jacketed Reaction Vessel, Conical Shape, with Bottom Outlet

Reaction vessel conical shape, jacketed, flat flange SCHMIZO with a groove, round bottom, inlet/outlet flat flange DN 15, bottom outlet with discharge valve type SCHMIZO, serial numbered



SCHMIZO Flat Flange

DN = Diameter nominal

All reaction vessels are also available with „SCHOTT“ flange (DURAN laboratory flange): Please add „S“ at the end of the article number. Size DN 200 is only available with SCHOTT-flange.

Inlet/Outlet

Flat flange DN 15

On request also available with spherical joints, GL or SVL threads

Side Arm

On request with hose nozzle, spherical joint or GL/SVL thread on the pipe available.

Discharge-valve SCHMIZO

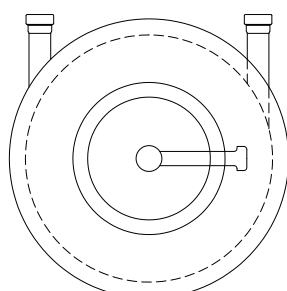
Product information: see additional brochure

Article No.	Volume ml	DN	IH mm	ID mm	Valve bore	
17.500.73	500	100	285		10mm	
17.500.81	1000	100	290		10mm	
17.501.81	1000	120	340		10mm	
17.501.87	2000	120	340		10mm	
17.502.87	2000	150	375		10mm	
17.502.89	3000	150	520		10mm	

DN 100 / 10 mm

DN 120 / 10 mm

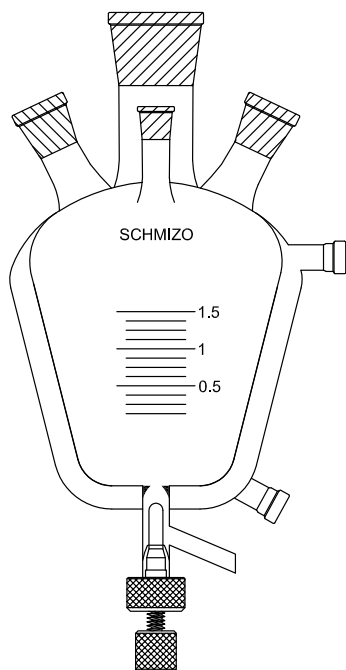
DN 150 / 10 mm



Top view: Inlet/outlet backwards, side arm rightwards. On request we can customize this arrangement.

Jacketed Sulphonating Flask with Bottom Outlet

Jacketed sulphonating flask, inlet/outlet flat flange DN 15, bottom outlet with discharge valve type SCHMIZO, serial numbered



Inlet/Outlet

Flat flange DN 15

On request also available with spherical joints, GL or SVL threads.

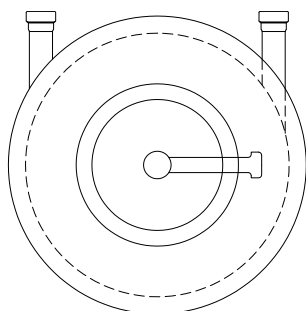
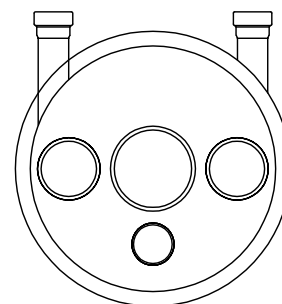
Side Arm

On request with hose nozzle, spherical joint or GL/SVL thread on the pipe available.

Discharge-Valve SCHMIZO

Product information: see additional brochure

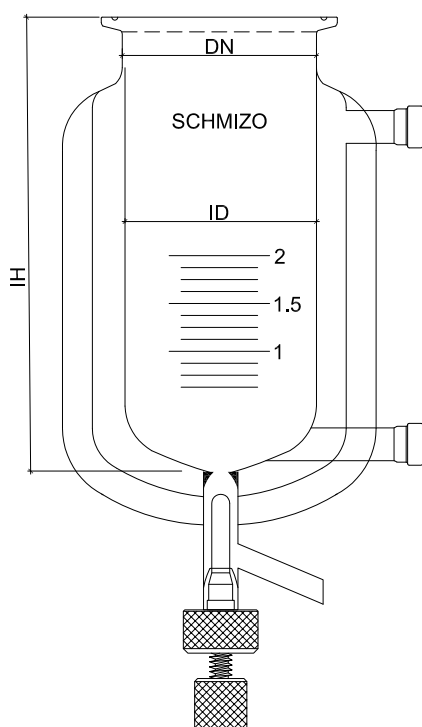
Article No.	Volume ml	Central NS	Lateral NS	Lateral NS	Lateral NS	
17.510.72	350	45	29	14	-	
17.510.73	500	45	29	29	-	
17.510.79	750	45	29	29	-	
17.510.85	1500	45	29	29	14	
17.510.89	2500	45	29	29	14	



Top view: Inlet/outlet backwards, side arm rightwards. On request we can customize this arrangement.

Vacuum Jacketed Reaction Vessel with Bottom Outlet

Reaction vessel, vacuum jacketed, flat flange SCHMIZO with a groove, round bottom, inlet/outlet flat flange DN 15, bottom outlet with discharge valve type SCHMIZO, serial numbered



SCHMIZO Flat Flange

DN = Diameter nominal

All reaction vessels are also available with „SCHOTT“ flange (DURAN laboratory flange): Please add „S“ at the end of the article number. Size DN 200 is only available with SCHOTT-flange.

Inlet/Outlet

Flat flange DN 15

On request also available with spherical joints, GL or SVL threads.

Side Arm

On request with hose nozzle, spherical joint or GL/SVL thread on the pipe available.

Discharge-Valve SCHMIZO

Product information: see additional brochure

Article No.	Volume ml	DN	IH mm	ID mm	Valve Bore	
17.520.73	500	60	250	65	10mm	
17.521.73	500	100	190	105	10mm	
17.521.81	1000	100	250	105	10mm	
17.521.87	2000	100	265	150	10mm	
17.521.89	3000	100	320	150	10mm	
17.521.92	4000	100	380	150	10mm	
17.522.81	1000	120	180	120	10mm	
17.522.87	2000	120	290	120	10mm	
17.522.89	3000	120	330	150	10mm	
17.522.92	4000	120	390	150	10mm	
17.522.94	5000	120	360	180	10mm	
17.522.95	6000	120	400	180	10mm	
17.523.87	2000	150	240	150	10mm	
17.523.89	3000	150	285	150	10mm	
17.523.92	4000	150	330	150	10mm	
17.523.94	5000	150	350	180	10mm	
17.523.95	6000	150	370	180	10mm	

— DN 60 / 10 mm

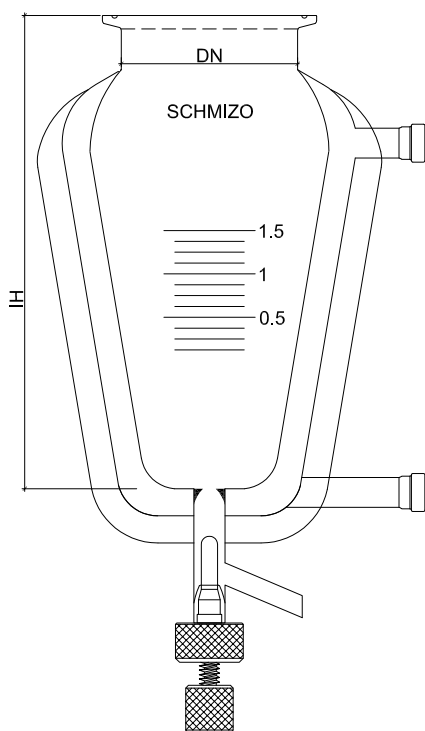
DN 100 / 10 mm

DN 100 / 10 mm

DN 100 / 10 mm

Vacuum Jacketed Reaction Vessel, Conical Shape, with Bottom Outlet

Triple-walled reaction vessel, conical shape, flat flange SCHMIZO with a groove, round bottom, inlet/outlet flat flange DN 15, bottom outlet with discharge valve type SCHMIZO, serial numbered



SCHMIZO Flat Flange

DN = Diameter nominal

All reaction vessels are also available with „SCHOTT“ flange (DURAN laboratory flange): Please add „S“ at the end of the article number. Size DN 200 is only available with SCHOTT-flange.

Inlet/Outlet

Flat flange DN 15

On request also available with spherical joints, GL or SVL threads.

Side Arm

On request with hose nozzle, spherical joint or GL/SVL thread on the pipe available.

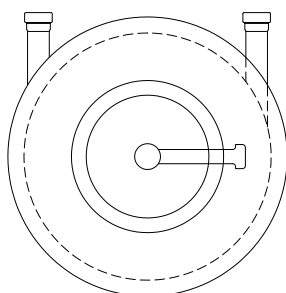
Discharge-Valve SCHMIZO

Product information: see additional brochure

Article No.	Volume ml	DN	IH mm	ID mm	Valve Bore	
17.530.73	500	100	285		10mm	
17.530.81	1000	100	290		10mm	
17.531.81	1000	100	340		10mm	
17.531.87	2000	100	340		10mm	
17.532.87	2000	120	375		10mm	
17.532.89	3000	120	520		10mm	

DN 100 / 10 mm

DN 120 / 10 mm



Top view: Inlet/outlet backwards, side arm rightwards. On request we can customize this arrangement.